

ORTAC PLASTIC CABLE GLANDS SERIES



POLYAMIDE CABLE GLANDS MULTIHOLE - FLATHOLE

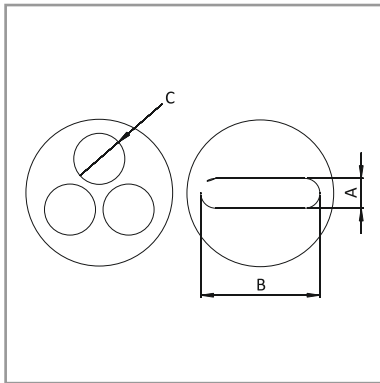
TECHNICAL DETAILS

Material

Cap nut	: Polyamide PA6 V2
Sealing ring	: TPV special seal for multi / flat cables
Gland body	: Polyamide PA6 V2
Connection thread	: PG (DIN 40430)
Certificates	: ROHS,CE
Protection class	: IP65
Temperature range	: -20 °C +100 °C -30 °C +150 °C (short term)

Properties

For multi or flat cables
Antivibration protection
UV resistance (on request)
Easy to assemble
Halogen free



PG THREAD CABLE GLANDS

PRODUCT RANGE OVERVIEW

AG Thread	Gray Code ■ RAL 7001	L. Gray Code ■ RAL 7035	Black Code ■ RAL 9005	Number of holes mm	C mm
PG 9	ORG 02A3	ORL 02A3	ORB 02A3	2	3
PG 9	ORG 02B3	ORL 02B3	ORB 02B3	3	3
PG 9	ORG 02C3	ORL 02C3	ORB 02C3	4	3
PG 11	ORG 03A5	ORL 03A5	ORB 03A5	2	5
PG 11	ORG 03B5	ORL 03B5	ORB 03B5	3	5
PG 13,5	ORG 04A6	ORL 04A6	ORB 04A6	2	6
PG 13,5	ORG 04B5	ORL 04B5	ORB 04B5	3	5
PG 16	ORG 05A7	ORL 05A7	ORB 05A7	2	7
PG 16	ORG 05B6	ORL 05B6	ORB 05B6	3	6
PG 16	ORG 05C5	ORL 05C5	ORB 05C5	4	5
PG 21	ORG 06A5	ORL 06A5	ORB 06A5	2	5
PG 21	ORG 06A9	ORL 06A9	ORB 06A9	2	9
PG 21	ORG 06B5	ORL 06B5	ORB 06B5	3	5
PG 21	ORG 06B8	ORL 06B8	ORB 06B8	3	8
PG 21	ORG 06C7	ORL 06C7	ORB 06C7	4	7
PG 21	ORG 06G4	ORL 06G4	ORB 06G4	8	4
PG 29	ORG 07C9	ORL 07C9	ORB 07C9	4	9
PG 29	ORG 0703	ORL 0703	ORB 0703	16	3

FLATHOLE PG CABLE GLANDS				A / mm	B / mm
PG 16	YRG 05	YRL 05	YRB 05	7	13
PG 21	YRG 06	YRL 06	YRB 06	5	17
PG 29	YRG 07	YRL 07	YRB 07	8	22
PG 36	YRG 08	YRL 08	YRB 08	10	28
PG 36	YRG 08A	YRL 08A	YRB 08A	5,5	28
PG 42	YRG 09	YRL 09	YRB 09	12	33

IP 65

Halogen free